

nylex

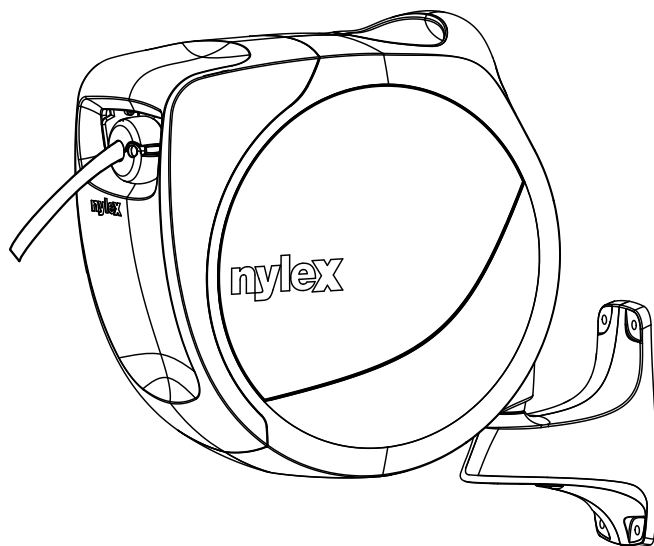


30m Retractable Hose Reel Instruction Manual



nylex

Retractable Hose Reel Instruction Manual



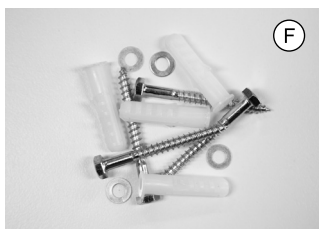
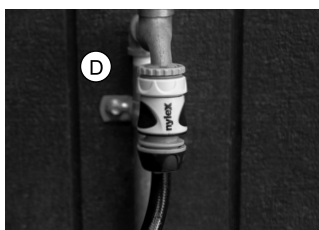
Caution:

- This hose reel is designed for home watering applications using cold water only. It is not intended for commercial applications.
- Before use and installation read all of this instruction manual.
- Ensure there are no live electrical wires or plumbing in the wall at the location you are installing the hose reel.
- Before use ensure the hose reel is securely attached to the wall.
- Children should not be allowed to operate or play with the hose reel.
- Always walk the hose back to the hose reel when rewinding.
- Always remove all water from the hose and turn the water off at the tap when the hose reel is not in use.
- Regularly inspect the bracket and securing pin for signs of wear.

Included Parts

Please check the contents of your package...

- Ⓐ Instruction Manual
- Ⓑ Hose Reel
- Ⓒ Wall Bracket
- Ⓓ 1.2m Tap to Reel Hose
- Ⓔ 12mm Adjustable Nozzle
- Ⓕ x4 Wall Fixing
- Ⓖ Hose End Fittings
- Ⓗ Hose
- Ⓘ Hose Ball Stop

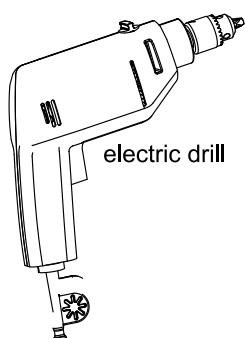


Choosing the best location

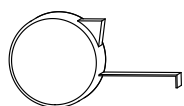


1. Near a tap. This hose reel is provided with a 1.2m (3.9ft) tap to reel hose, so select a location close to the tap.
2. On a sturdy wall or structure. There are many options for mounting this hose reel onto various structures, but it's important that the structure be sturdy enough to support the weight of the reel with water.
3. In the shade. By mounting your hose reel in a shady area of your yard, you can reduce the harmful effects of sunlight on the reel and hose and extend the life of your purchase.

Preparing your tools



electric drill



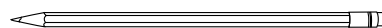
tape measure



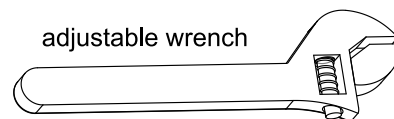
3/8" masonry drill bit



1/8" drill bit

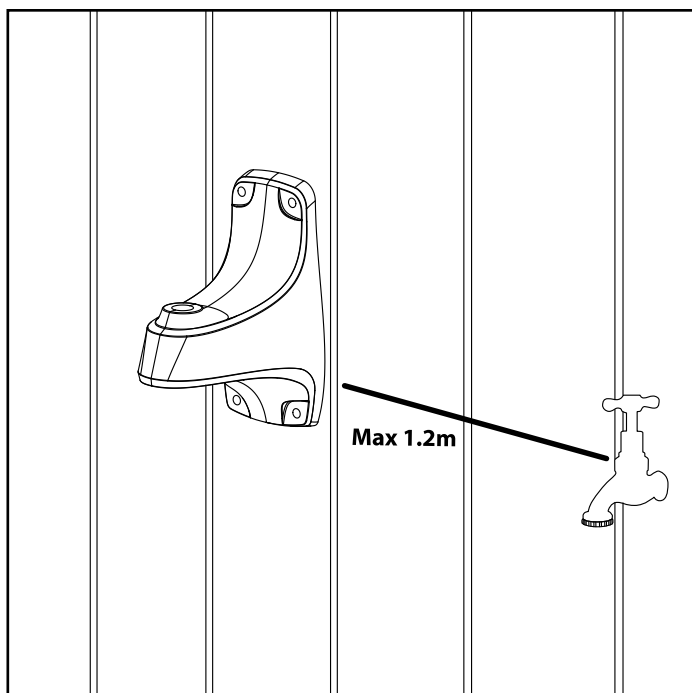


pencil

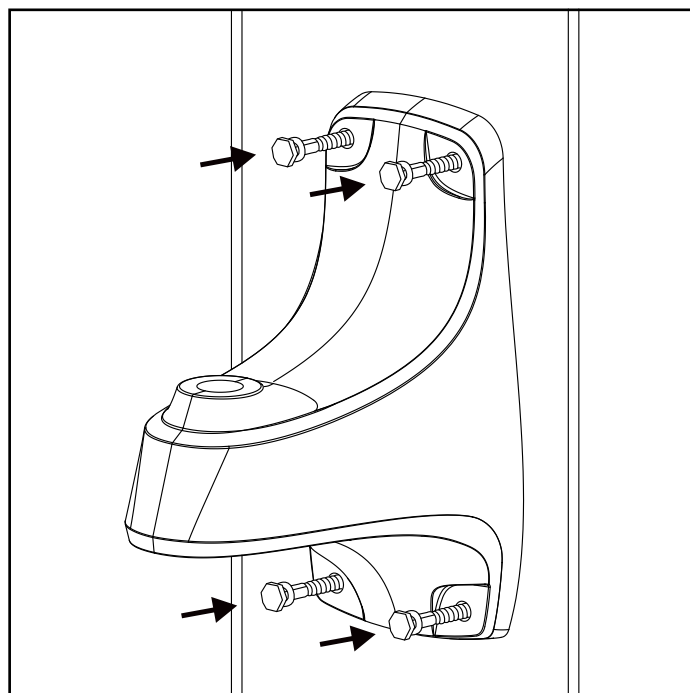


adjustable wrench

Installation



1. Select a suitable location to mount the hose reel that is at waist height and within 1.2m from the tap so you can easily connect the tap to reel hose to your tap.

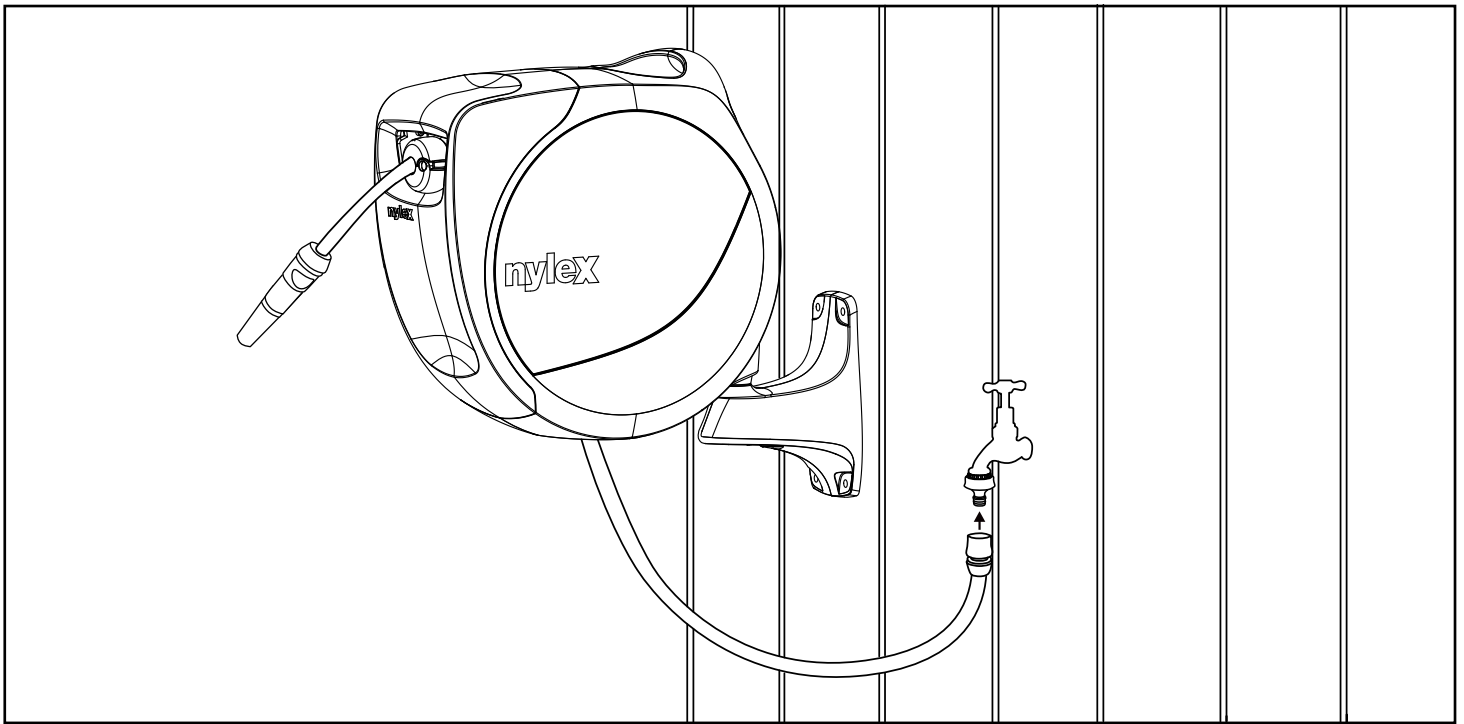


2. Using the bracket as a template, mark the location of the screws with the pencil ensuring the bracket is straight and level. Drill the 4 holes into the wall and fix the bracket to the wall with the 4 screws. If mounting to a masonry wall, please use the wall plugs supplied.

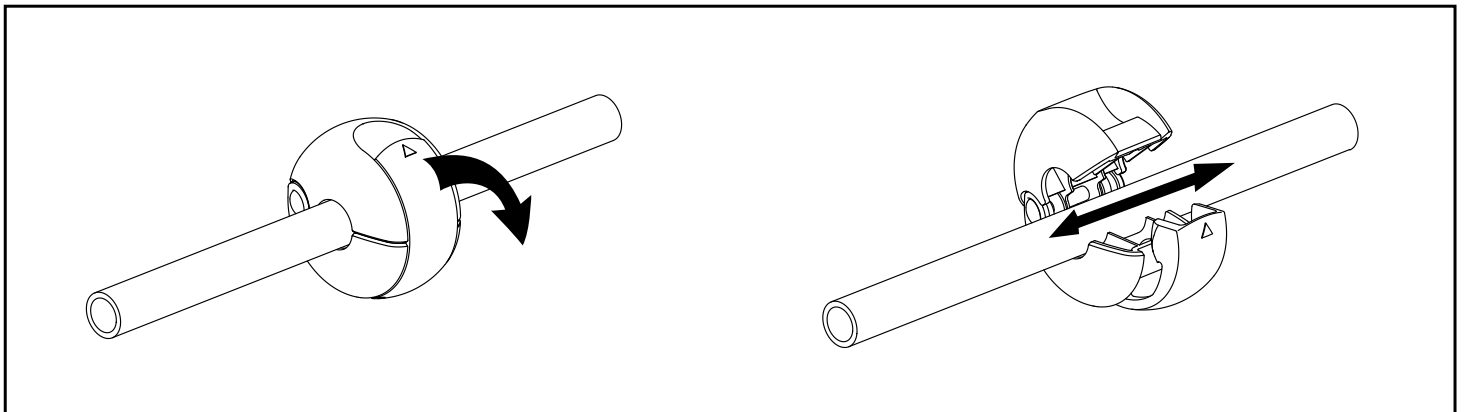


WARNING:

- Ensure there are no live electrical wires or plumbing in the wall at the location you are drilling
- If your wall's plywood cladding is thicker than 12mm you can directly mount the wall bracket to this wall



3. Mount the hose reel onto the bracket using the pivot pin then Attach the tap to reel hose connector to your tap using the supplied universal tap adaptor.



4. Adjust the stop-ball to your desired location. The location of the stop ball can be adjusted to allow more or less hose exposed when fully rewound. Pull out the hose to the desired length, ensuring the hose reel is locked (will not rewind). Open the latch on the ball and move it to the desired location. Re-latch the ball.



Caution: Always make sure the hose reel is locked before removing the stop-ball, and make sure the stop-ball is securely fastened before unlocking the hose reel.

Instructions for use

Now that your hose reel is securely mounted and connected to the tap it is ready for use.

1. Before the first use, turn the water on at the tap slowly and unwind the hose. To unwind, simply take hold of the hose and walking away from the hose reel.
2. The auto locking mechanism will 'click' as the hose is locked in place or rewound.
3. To release, pull the hose away from the hose reel. You will feel the hose start to rewind, walk back with the hose towards the hose reel. Do not simply let go of the hose.
4. When finished turn the water off at the tap and release all water from the hose.



Care

- Always turn the water off at the tap when the hose reel is not in use.
- Always walk the hose back to the hose reel when rewinding.
- When walking the hose back to the hose reel, turn off the tap, press the lever on the spray gun to release the water pressure in the hose. This makes the retraction of the hose a lot easier and prolongs the life of your hose reel.
- Do not pull the hose past the last metre of hose housed in the hose reel.
- Do not place undue force on the hose reel casing. Doing so may damage the casing or the bracket.
- To prevent freezing and potential damage to the hose reel, store indoors during winter months.
- Clean the housing and hose using only mild soap and water

Tips

If the hose doesn't rewind properly:

- Ensure all water inside the hose has been released.
- Lift the hose end above waist height if retraction loses power in the last few metres.

If the safety lock lever cannot be engaged:

- Pull the hose out until you hear a click. The hose can now be held in place and the safety lock lever can be engaged.
- If this doesn't work, pull the hose all the way out and give it a light tug which will reset the mechanism.

Maintenance

Tension adjustment:

The spring tension is factory pre-set and will not require any adjustment.

Hose replacement:

If the hose becomes damaged, do not open the reel and attempt to repair it as the spring loaded under tension is dangerous. Contact Nylex Consumer Service for further instructions.

Wall bracket kit:

If the wall bracket becomes damaged or a spare is required for multiple locations, a wall bracket kit is available from the retailer.

NYLEX GUARANTEE - *Retractable Hose Reel (3 years)

Ames Australasia warrants that this product will be free from defects in workmanship and materials for 3 years. If a defect in material or workmanship becomes evident during that period, Ames Australasia will, at its option, either; repair the product (or pay for the costs of repair of the product); replace the product; or refund to the customer the purchase price paid by the customer for the product. In the event of such a defect, the product should be returned to the place of purchase, together with proof of purchase for repair, replacement or refund. Any handling and transportation (and other expenses incurred in claiming under this guarantee) are not covered by this guarantee and will not be borne by Ames Australasia. The obligation of Ames Australasia under this guarantee is limited to the circumstances set out above and is subject to; the customer being able to evidence the acquisition of the product, the purchase price paid for the product and the relevant defect in materials or workmanship; the product not having been altered, tampered with or otherwise dealt with by any person in a manner other than as intended in respect of the relevant product; and the product not having been used or applied in a manner that is contrary to customary usage or application for the relevant product or contrary to any stated instructions or specification of Ames Australasia. Our goods come with guarantees that cannot be excluded under the Australian Consumer Law. You are entitled to a replacement or refund for a major failure and for compensation for any other reasonably foreseeable loss or damage. You are also entitled to have the goods repaired or replaced if the goods fail to be of acceptable quality and the failure does not amount to a major failure. The benefits given by this guarantee are in addition to the other rights and remedies which might be available to the customer under any law in relation to goods or services to which this guarantee relates.

For further information contact us on

Australia Free Call: 1800 335 019

New Zealand: 09 427 6042

AMES Australasia

ABN 89 169 427 061

Level 1, 660 Doncaster Road,
Doncaster, Victoria 3108. Australia

www.nylex.com.au